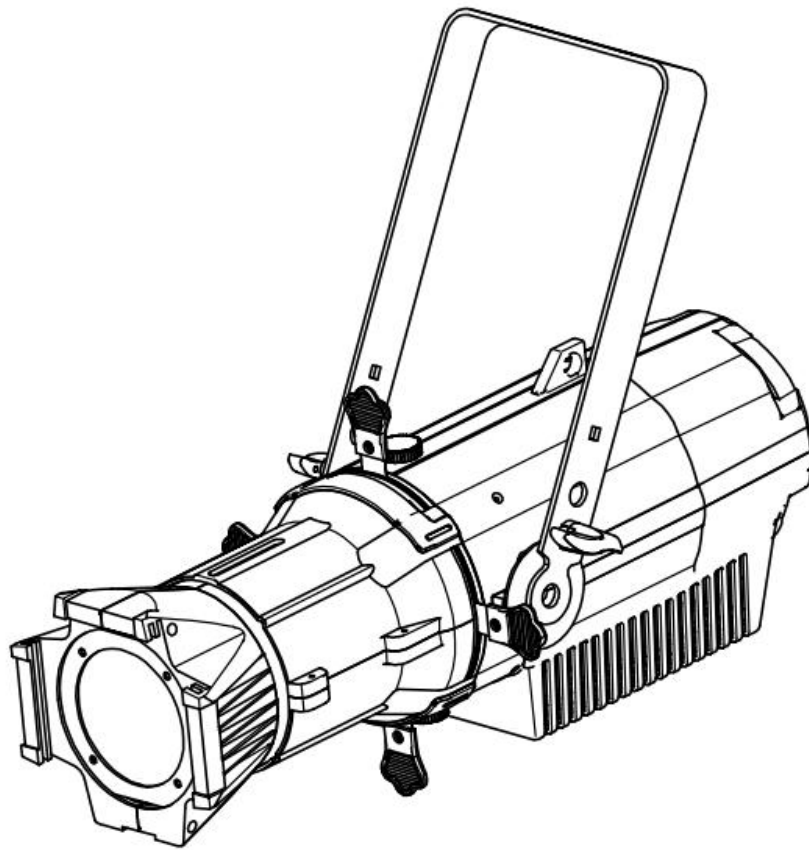


User manual



## LED PROFILE FIX

Please read the instructions carefully before use

# TABLE OF CONTENTS

1. Safety Instructions.....	3
2. Technical Specifications.....	4
3. Descriptions.....	5
4. Unpacking.....	5
5. Control Menu .....	6-7
6. DMX Channels .....	7
7. Dimension .....	8
8. Trouble Shooting.....	9
9. Fixture Cleaning.....	9

## STATEMENT

The product has well capability and intact packing when leave factory. All of the user should comply with warning item and manual, any misuse cause of the damages are not included in our guarantee, and also can not be responsible for any malfunction & problem owing to ignore the manual.

# 1. Safety Instructions

Please keep this User Guide for future consultation. If you sell the unit to another user, be sure that they also receive this instruction booklet.

- Unpack and check carefully there is no transportation damage before using the unit.
- Before operating, ensure that the voltage and frequency of power supply match the power requirements of the unit.
- It's important to ground the yellow/green conductor to earth in order to avoid electric shock.
- The unit is for indoor use only. Use only in a dry location.
- The unit must be installed in a location with adequate ventilation, at least 50cm from adjacent surfaces. Be sure that no ventilation slots are blocked.
- Disconnect main power before replacement or servicing.
- Make sure there are no flammable materials close to the unit while operating as it is fire hazard.
- Use safety cable when fixes this unit. DO NOT handle the unit by taking its head only, but always by taking its base.
- Maximum ambient temperature is  $T_a$ : 40°C. DO NOT operate it where the temperature is higher than this Unit surface temperature may reach up to 85°C. DO NOT touch the housing bare-hand during its operation. Turn off the power and allow about 15 minutes for the unit to cool down before replacing or serving.
- the event of serious operating problem, stop using the unit immediately. Never try to repair the unit by yourself. Repairs carried out by unskilled people can lead to damage or malfunction. Please contact the nearest authorized technical assistance center. Always use the same type spare parts.
- DO NOT touch any wire during operation as high voltage might be causing electric shock.

## Warning:

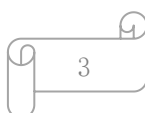
- To prevent or reduce the risk of electrical shock or fire, do not expose the unit to rain or moisture.
- The housing, the lenses, or the ultraviolet filter must be replaced if they are visibly damaged.

## Caution:

- There are no user serviceable parts inside the unit. DO NOT open the housing or attempt any repairs yourself. In the unlikely event your unit may require service, please contact your nearest dealer.

## Installation:

- The unit should be mounted via its screw holes on the bracket. Always ensure that the unit is firmly fixed to avoid vibration and slipping while operating. And make sure that the structure to which you are attaching the unit is secure and is able to support a weight of 10 times of the unit's weight. Also always use a safety cable that can hold 12 times of the weight of the unit when installing the fixture.
- The equipment must be fixed by professionals. And it must be fixed at a place where is out of the touch of people.



## **2. Technical Specifications**

### **Light Source:**

LED POWER: 300W

LED Color: CW 5600k or WW 3200K (300W) COB LED

Color Rendering Index(CRI): Ra≥90

LED Life Time: over 50,000 hours

### **Power supply:**

Voltage: AC100-240V

Max.power: 300W

### **Optics:**

Fixed Lens: 19°/26°/36°/50°(optional)

LED Life Time: over 50,000 hours

Iris: optional

Color Frame: optional

### **Features:**

Dimming Curve: 4 kinds dimming curve

PWM: 500HZ - 25000HZ optional

Strobe :1-25times/sec

### **Light body feature:**

Focus: Can be adjusted by hand

Technology: High-quality optical system , glass reflector

Light body: Die casting Aluminum

Touch screen: LCD with touch screen

Feature of housing: High quality fireproof ,corrosion-resistance, Oxidation resistance

### **Control:**

Control Protocol: RDM / DMX

Control System: DMX, Auto run and Master/Slave

DMX Channels: 1/2CH

### **Working Environment :**

Working Temperature: -30~40°C

Cooling system: No noise fan (copper tube)

IP Grade: IP20

### **Package :**

Dimensions: 611(D)\*173(W)\*480(H)mm

Net Weight : 10.5kgs

Gross Weight: 12.5 kgs

Packing Size: 72\*33\*31.5 cm (1pc/carton)

### 3.Descriptions

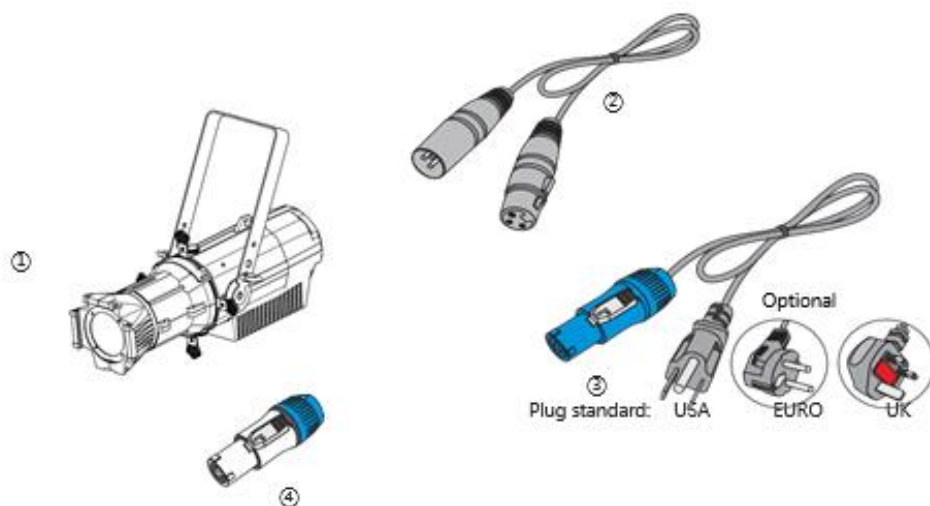
- Warm or cool white ERS style fixture with output exceeding a tungsten 750 W source
- Ultra smooth 16-bit dimming of master dimmer and individual colors
- Flat, even field of light with superior color mixing
- RDM (Remote Device Management) for added flexibility
- Adjustable PWM (Pulse Width Modulation) to avoid flickering on camera
- Selectable dimming curve: Standard mode, Incandescent mode, quick mode and linear mode
- LCD touch screen
- Virtually silent operation for use in studio and theatre applications

### 4.Unpacking

Thank you for choosing our LED PROFILE FIX. For your own safety, please read this manual before installing the device. This manual covers the important information on installation and applications. Please install and operate the fixture with following instructions. Meanwhile, please keep this manual well for future needs.

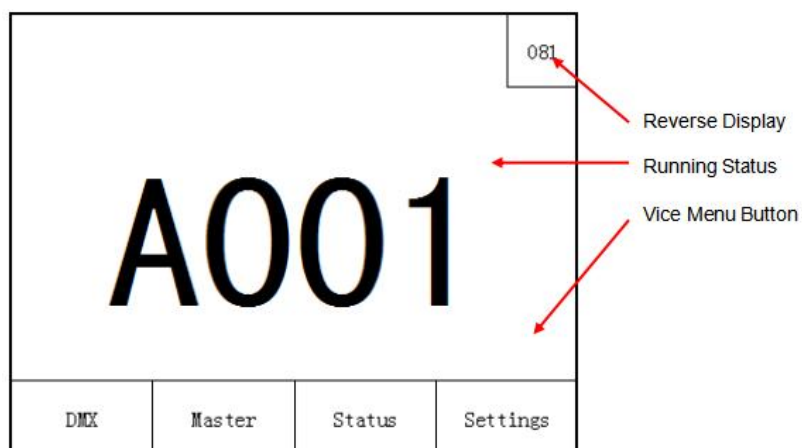
LED PROFILE FIX is made of a new type of high temperature strength of die cast aluminum casing with nice outlook. The fixture is designed and manufactured strictly following CE&RoHS standards, complying with international standard DMX512 protocol. It's available independently controlled and linkable with each other for operation. And it is applicable for large-scale live performances, theater, studio, nightclubs and discos.

LED PROFILE FIX adopts 1PCS 300W COB LED (available for WW) which features high brightness and stability. Please carefully unpack it when you receive the fixture and check whether it is damaged during the transportation. And please check whether the following items are included inside the box:



① 300Z WW PROFILE	1PC
② DMX cable	1PC
③ POWER cable	1PC
④ POWER OUT	1PC
⑤ User Manual	1PC

## 5. Control Menu



### Operation Status

Mode	Display	Description
DMX Mode	Axxx	“A”stand for standard channel mode,, “xxx”stand for ID address
	Dxxx	“D”stand for basic channel mode, “xxx”stand for ID address
Manual Mode	S-MC	“S”stand for stand alone mode, “MC”stand for“Mixed Color”

### DMX Settings

Menu	Operation	Option	Description
DMX Start Address	Press key of “OK” enter to edit mode, press “UP” and ”down” to edit the DMX address	1~512	
DMX Profile	Press key of “OK” change the DMX channel mode	2CH	Standard Channel Mode
		1CH	Basic Channel Mode

### Master Mode Choice

Menu	Operation	Vice Menu description
White Point	Press Key of “OK” to choose mode	Choose color temperature
Quick Color	Same as before	Choose inner setting color
Mixed Color	Same as before	Choose the color and strobe setting

### Status

Menu	Description
Software	Name of software
Version	Version
Temperature	Show the temperature of lighting fixture
DMX Status	With“OK” (Slave mode, with signal) , “NONE” (Slave mode, no signal) 、 “Alone” (alone)

## Settings

Menu	Operation	Option	Description
Touch Screen Calibration	Touch screen adjust		
Dimmer Frequency	Change the dimmer frequency	500HZ	Each 100HZ for increase or decrease
		.....	
		25000HZ	
Dimmer Curve	Change dimmer curve	Standard	
		Incandescent	
		Linear	
		Quick	
Over Temperature	Temperature setting	45~95	Each 5 for increase or decrease
Backlight	Adjust the display brightness	10%~100%	Each 5% for increase or decrease
Backlight Timeout	Screen protect setting	No screen protect or black screen from 0~ 60 second	Each 5 for increase or decrease
Load Factory Settings	Reset		

## 6.DMX Channels

### Model – CH2

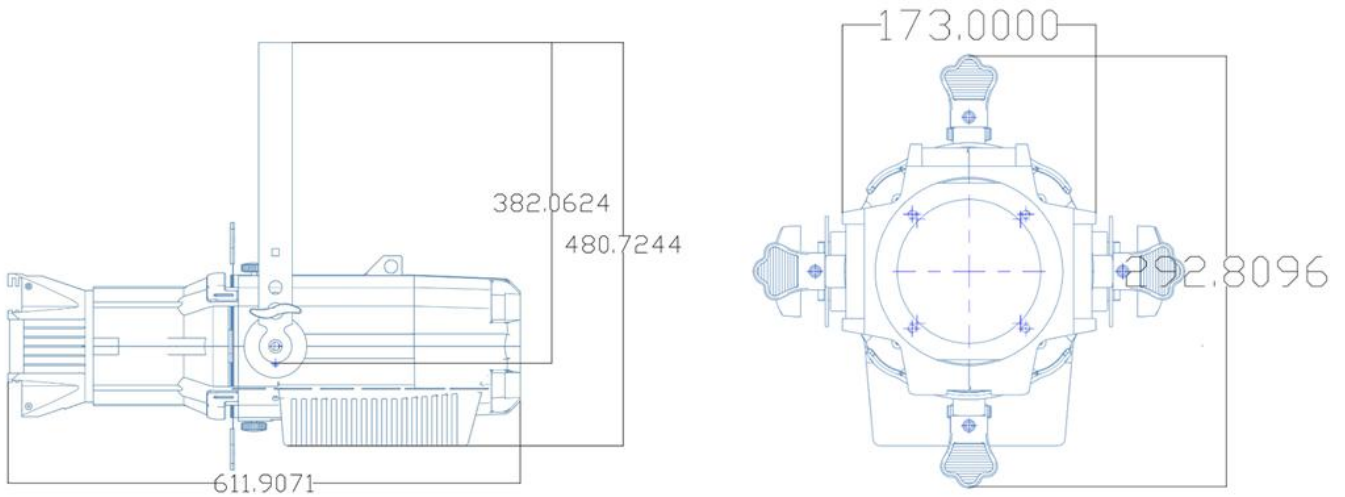
Channel	Data	Function	Remark
1	0~255	Dimmer	
2	0~10	No function	
	11~255	Strobe speed (255 is the fastest)	

### Model – CH1

Channel	Data	Function
1	0~255	Color 1

## 7.Dimension

Size of the fixture: 767.6(D)\*297.3(W)\*273.7(H)mm



LCD with touch screen



Aluminium die-casting housing



Focus can be adjusted by hand

## 8. Trouble Shooting

Following are a few common problems that may occur during operation. Here are some suggestions for easy troubleshooting:

### A. The unit does not work, no light and the fan does not work

1. Check the connection of power and main fuse.
2. Measure the mains voltage on the main connector.
3. Check the power on LED.

### B. Not responding to DMX controller

1. DMX LED should be on. If not, check DMX connectors, cables to see if link properly.
2. If the DMX LED is on and no response to the channel, check the address settings and DMX polarity.
3. If you have intermittent DMX signal problems, check the pins on connectors or on PCB of the unit or the previous one.
4. Try to use another DMX controller.
5. Check if the DMX cables run near or run alongside to high voltage cables that may cause damage or interference to DMX interface circuit.

### C. One of the channels is not working well

1. The stepper motor might be damaged or the cable connected to the PCB is broken.
2. The motor's drive IC on the PCB might be out of condition

## 9. Fixture Cleaning

The cleaning of internal and external optical lenses and/or mirrors must be carried out periodically to optimize light output. Cleaning frequency depends on the environment in which the fixture operates: damp, smoky or particularly dirty surrounding can cause greater accumulation of dirt on the unit's optics.

Clean with soft cloth using normal glass cleaning fluid.

Always dry the parts carefully.

Clean the external optics at least every 20 days. Clean the internal optics at least every 30/60 days.